

audison



ideato,
progettato,
costruito
in Italia



—
FORZA



AFBMW ReAMP 3 OWNER'S MANUAL

PLUG & PLAY CABLE

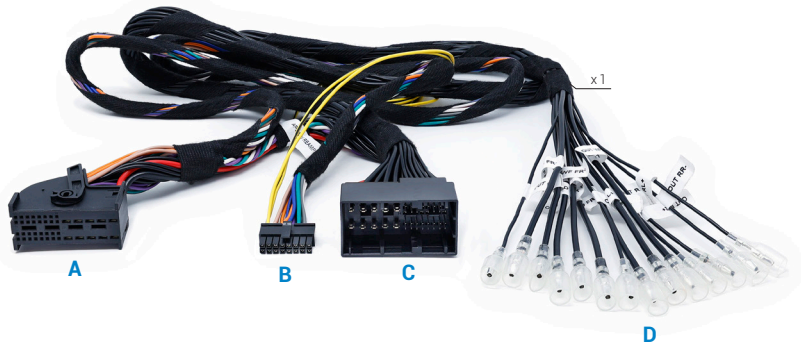
BMW is a trademark of
BMW AG (Bayerische Motoren
Werke Aktiengesellschaft)

Fully
— *bridgeable*

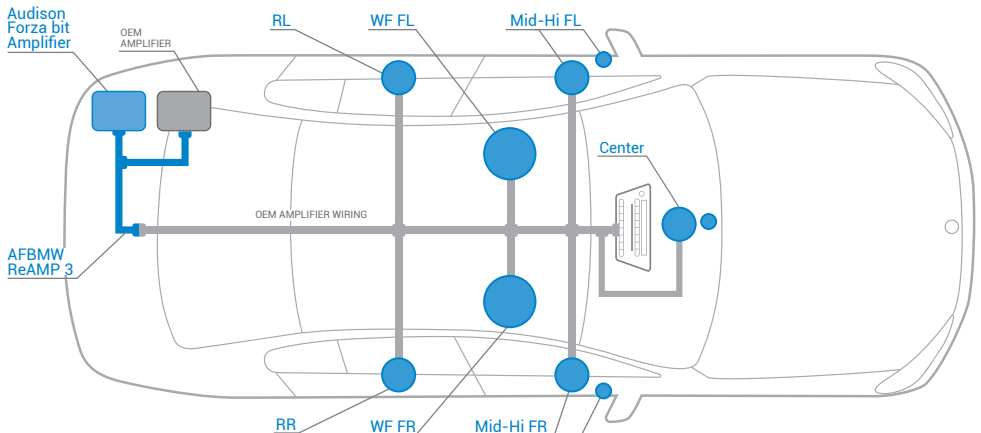


■ محتويات العبوة / Съдържание на опаковката / 包装内容 / 内装物 / Sadržaj pakiranja / Obsah balení / Pakkens indhold / Pakket inhoud / Packaging contents / Pakendi sisu / Pakkauksen sisältö / Contenu de l'emballage / Verpackungsinhalt / Περιεχόμενα συσκευασίας / תוכן האריזה / A csomag tartalma / Isi kemasan / Contenuto dell'imballo / パッケージ内容 / 패키지 내용 / Lepakojuoma saturs / Pakuotės turinys / Innhold / محتويات بسته / Zawartość opakowania / Conteúdo da embalagem / Conținutul pachetului / Комплектация / Obsah balenia / Vsebina embalaže / Contenido del embalaje / Förpackningens innehåll / ส่วนประกอบผลิตภัณฑ์ / Paket içeriği

AFBMW ReAMP 3

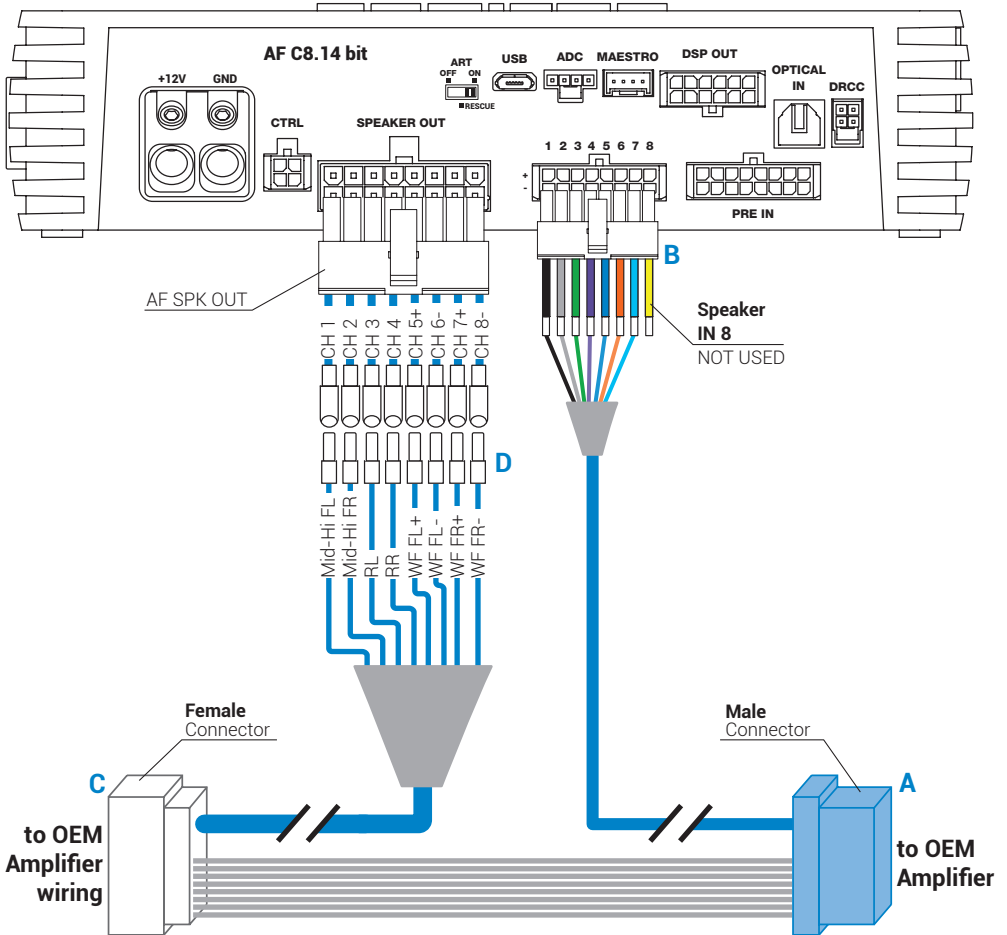


■ تثبيت قاطع الدائرة / Фабричен монтаж / 工廠切割安裝 / 前流器安裝 / Montaž u tvorničkom otvoru / Montáž do výřezu z výroby / Fabriksudskæringsmontering / Factory cut-out kiinnitysajrjestelmä / Factory cut-out mounting / Tehase väljalõikega paigaldamine / Factory cut-out kiinnitys / Découpage et montage en usine / Montage der vom Werk gefertigten Ausschnitte / Εργοστασιακή τοποθέτηση / תבנית לחיתוך / Beszerelés gyárilag kialakított helyre / Pemasangan potongan pabrik / Montaggio in predisposizione / 出待時カットアウトマウント / 공장에 설치 / Uzstādīšana rūpnieciski iegriestā vietā / Gamyklinio išjungiklio montavimas / Montering i originalplassering / تشهيه برش خوري كارخانه / Montaž w otworach fabrycznych / Montagem na fábrica / Instalarea de profil din fabrica / Монтаж по заводскому профилю / Montáž do výřezu z výroby / Namestitev s tovarniškim izrezom / Recorte en fábrica / Fabriksutskuren montering / 前流器の取り付け / Fabrika kesigine montaj



AFBMW ReAMP 3

Audison AF bit Amplifier configuration 1: Mid Hi FR/FL + RL/RR + WFL/WFR (Bridged)



SPEAKER OUT CONFIGURATION

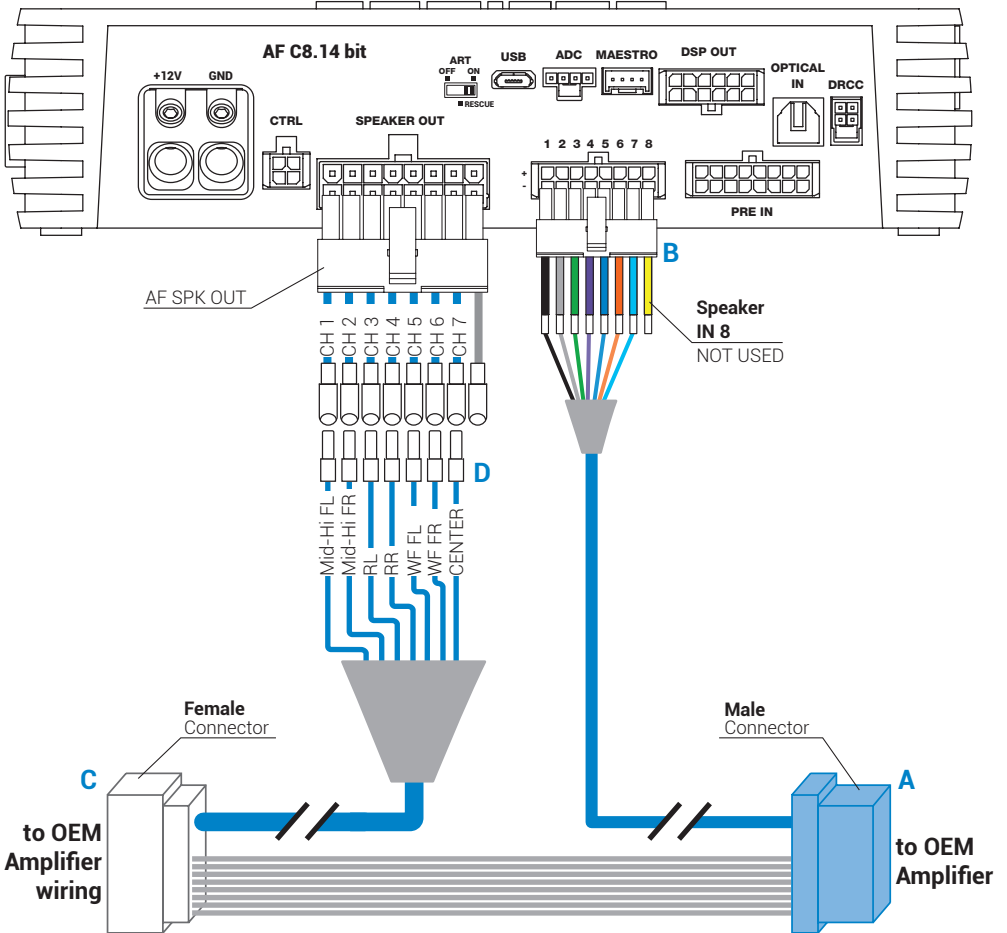
1+	Front Mid-Hi Left +	5+	Front Wf Left +
1-	Front Mid-Hi Left -	5-	NOT USED
2+	Front Mid-Hi Right +	6+	NOT USED
2-	Front Mid-Hi Right -	6-	Front Wf Left -
3+	Rear Left +	7+	Front Wf Right +
3-	Rear Left -	7-	NOT USED
4+	Rear Right +	8+	NOT USED
4-	Rear Right -	8-	Front Wf Right -

SPEAKER IN COLOR CONNECTOR

WHITE	Front Mid-Hi Left
GRAY	Front Mid-Hi Right
GREEN	Front Wf Left
PURPLE	Front Wf Right
BLUE	Rear Left
ORANGE	Rear Right
LIGHT BLUE	Center
YELLOW	NC

AFBMW ReAMP 3

Audison AF bit Amplifier configuration 2: Mid Hi FR/FL + RL/RR + WFL/WFR + Center



SPEAKER OUT CONFIGURATION

1+	Front Mid-Hi Left +	5+	Front Wf Left +
1-	Front Mid-Hi Left -	5-	Front Wf Left -
2+	Front Mid-Hi Right +	6+	Front Wf Right +
2-	Front Mid-Hi Right -	6-	Front Wf Right -
3+	Rear Left +	7+	Center +
3-	Rear Left -	7-	Center -
4+	Rear Right +	8+	NOT USED
4-	Rear Right -	8-	NOT USED

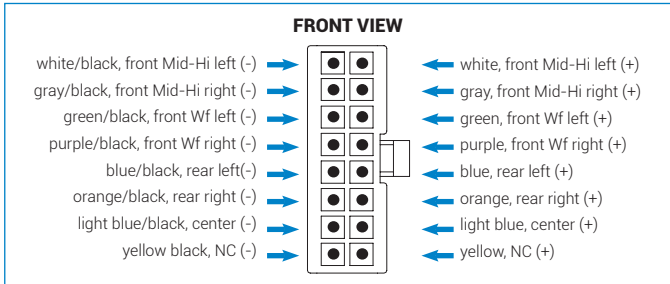
SPEAKER IN COLOR CONNECTOR

WHITE	Front Mid-Hi Left
GRAY	Front Mid-Hi Right
GREEN	Front Wf Left
PURPLE	Front Wf Right
BLUE	Rear Left
ORANGE	Rear Right
LIGHT BLUE	Center
YELLOW	NC

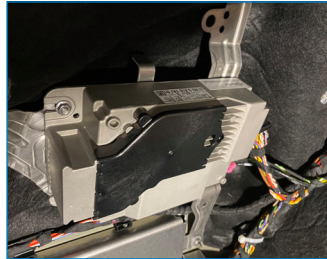
Technical notes

The AFBMW ReAMP 3 harness interfaces with BMW 676 HiFi systems by using the RAM module (all iDrive 7-equipped vehicles have a RAM module, regardless of audio package). The harness brings the front mid/high, rear mid/high, underseat low-pass and center signals out, and makes those speaker leads available to connect to your amplifier. The outputs of the harness terminate in an input connector for Audison FORZA bit processor, and the speaker leads are terminated with round male connectors. The RAM module must be retained in the vehicle.

AFBMW ReAMP 3 Inputs to Audison FORZA bit amplifier



BMW RAM in G20 3-Series (left rear corner of trunk)



NOTES:

- Compatibility with RAM module-equipped 676 HiFi audio packages and Audison AF bit amplifier**
 - the use with other products may require modifications and additional connections to the vehicle.
 - 676 systems use 2Ω woofers. Do not bridge two channels into a 2Ω load, since protection shutdown or amplifier damage may result. To use bridged channels, the user needs to replace the OEM 2Ω woofers with Audison APBMW S8-4 4Ω woofers. Please, make sure to confirm proper bridge wiring.
- Use the Hi-Level input configuration #11 in the software Wizard procedure (2-way front + rear + center)**
 - this is essential to properly route the input signal to the bit processor section.
- Confirm proper application**
 - APBMW ReAMP 1, APBMW ReAMP 2 and AFBMW ReAMP 3 use identical connectors, but with different pinouts. They are not interchangeable.
- Compatibility with AP F8.9 bit**
 - The AP F IN ADP allows the use of AFBMW ReAMP 3 with the AP F8.9 bit amplifier with full P&P connection.

Note

Note



audison.com

audison

ISTINTO
INNOVATIVO

PART OF ELETTROMEDIA
62018 Potenza Picena (MC) Italy
T +39 0733 870 870 - F +39 0733 870 880
www.elettromedia.it

66772204_24Rev.D

All Specifications Subject to Change Without Notice