

audison

APTYT TCM IK01.2

INSTALLATION MANUAL

rev. 1.2




ideato,
progettato,
ingegnerizzato
in Italia

Table of Contents

1. PRODUCT DESCRIPTION	5
2. PACKAGING CONTENTS	6
3. TECHNICAL SPECIFICATIONS	7
4. CONNECTIONS LAYOUT FOR LEFT-HAND DRIVE VEHICLES	8
5. REMOVAL OF DASH SPEAKERS	9
6. REMOVAL OF FRONT LEFT SEAT, LEFT DOOR SILL AND LEFT KICK PANEL	10
7. AP TACOMA P&P HARNESS CABLES ROUTING	11
8. INSTALLATION OF AP5.9 bit.....	13
9. INSTALLATION OF APBX 8 DS SUBWOOFER	14
10. INSTALLATION OF AP 2 WIDE RANGE	15
11. INSTALLATION OF AP 690 WOOFER	16
12. RE-ASSEMBLY OF UNINSTALLED COMPONENTS	18
13. UPLOAD OF THE TUNING FILE	18
14. NOTES	18
15. TROUBLESHOOTING	19

Introduction

Congratulations for purchasing an Audison product. Your satisfaction is the first requirement that our products must meet: the same satisfaction felt by those who long for experiencing the car audio emotion. This manual was drawn up to provide the main instructions required to install and use the system properly.

Before the installation, carefully read all the instructions in this manual and in the manuals included in the packaging of the individual components. Failure to comply with these instructions may cause unintentional harm or damage to the system components or to the vehicle.

Warranty

For the warranty conditions please visit our website www.audison.eu or contact your Audison specialized centre.

Safe sound

USE COMMON SENSE AND PRACTICE SAFE SOUND. PLEASE REMEMBER THAT LONG EXPOSURE TO EXCESSIVELY HIGH SOUND PRESSURE LEVELS MAY DAMAGE YOUR HEARING. SAFETY MUST BE AT THE FOREFRONT WHILE DRIVING.

1. PRODUCT DESCRIPTION

The APSP **TACOMA** was specifically designed for TOYOTA TACOMA (*), it allows the correct installation of the AP5.9 bit** (Amplifier with DSP), AP 690 (Front Woofer), AP 2 (Front Wide range), APBX 8 DS (Rear Subwoofer) and comprises:

1. a pair of Front Woofers adapters, connectors and gaskets for a perfect integration.
2. a pair of Front Wide range adapters, connectors and gaskets for a perfect integration.
3. Tacoma P&P Harness, a specific cable for the car and the kit, designed according to the Plug&Play philosophy to be connected to the original connectors supplied with the car, without needing to change the original wiring.

WARNING: before starting the installation make sure the kit APSP **TACOMA** is compatible with your



TOYOTA TACOMA version.

All the information contained in this manual refer to the left-hand drive **Gen 3 Toyota Tacomas from 2016**.

Remark: • All the kit components have been designed to be secured to the original fixing points of the vehicle.

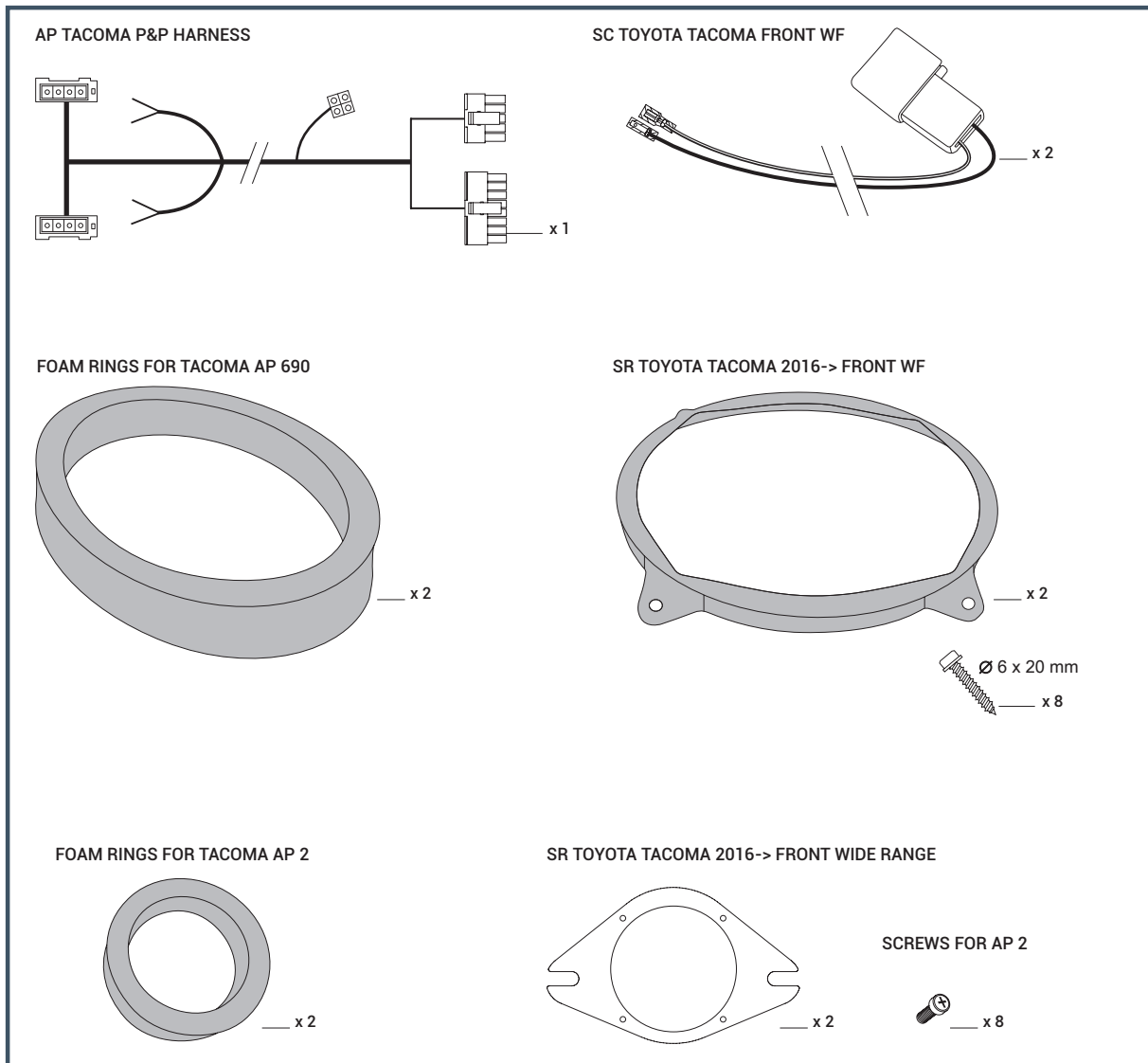
- The removal of the car upholstery may cause damage to the metal clips, making it necessary to replace them.
- Make sure all the gaskets supplied with the speakers are correctly positioned and working perfectly.
- Connectors are fragile components and must be handled with care.
- After installation and before restarting the system, make sure the equalization of the vehicle's radio is flat.
- Install the kit components by following the instructions provided to ensure they do not prevent airbags or other safety devices of the vehicle from working correctly.
- Use suitable quality equipment to simplify, speed up and achieve optimal installation.

These installation instructions are updated to revision 02. Additional documents can be downloaded from the website www.audison.eu. Should a malfunction occur during the kit installation, check the **"TROUBLESHOOTING"** section at the end of this manual. If you have consulted the aforesaid section and are still unable to solve the problem, please visit the www.audison.eu website or contact your Audison authorized specialized centre or the official assistance via email: support@elettromedia.it.

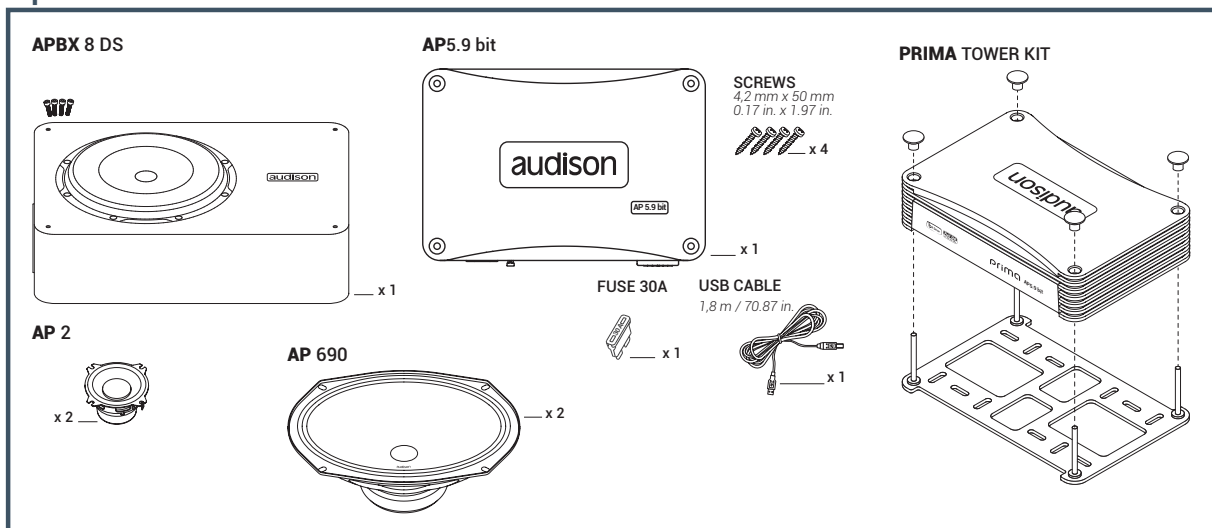
* Tacoma is a registered Toyota trademark.

** We recommend the use of Prima Tower Kit for a perfect and safe installation.

2. PACKAGING CONTENTS



Optional



3. TECHNICAL SPECIFICATIONS

AP5.9 bit OUTPUT CHANNEL MAP

Channel	Mode	Speaker	Power
1-2	Stereo	AP 2	2 x 20W RMS @4Ω
3-4	Stereo	AP 690	2 x 50W RMS @4Ω
5	Mono	APBX 8 DS	1 x 350W RMS @2Ω

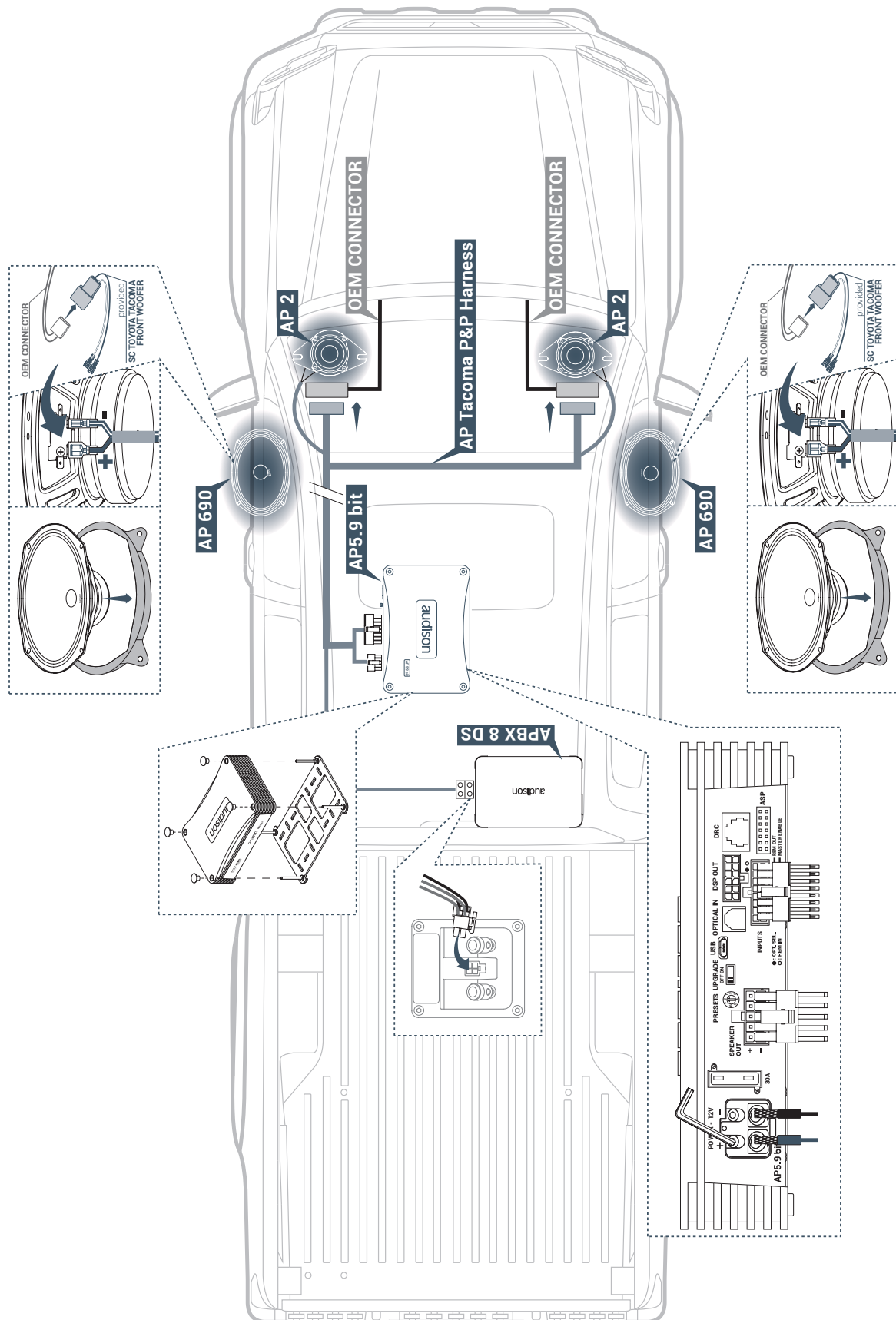
TECHNICAL SPECIFICATIONS

Component		AP 690 (optional) Front Woofer	AP 2 (optional) Wide Range	APBX 8 Ds (optional) Subwoofer
Size	Inches	6 x 9	2	8
Power Handling	W (peak)	300	50	500
	W (continuous)	100	25	250
Impedance	Ω	4	4	4 + 4
Frequency Response	Hz	40 ÷ 5k	150 ÷ 20k	-
Crossover		Digital	Digital	Digital

Remark:

Please refer to the user's manual of the AP5.9 bit for detailed information about the product, its installation and for the use of the "AP Prima PC Software". All information is available on the website www.audison.eu.

4. CONNECTIONS LAYOUT FOR LEFT-HAND DRIVE VEHICLES



5. REMOVAL OF DASH SPEAKERS

WARNING: the information below refers to the left-hand drive 4-door version. Remove the key from the car's ignition and pull the lever to release the bonnet. Close the doors and wait for 5 minutes, then open the bonnet and disconnect the negative pole from the vehicle's battery.

5.1 Removal of dash speakers

5.1.1 Remove the **A-pillar trim** and then remove dash speaker grilles (fig.1a/1b).



Fig. 1a



Fig. 1b

5.1.2 Unplug dash speakers and remove from vehicle (fig.2a / 2b).



Fig. 2a

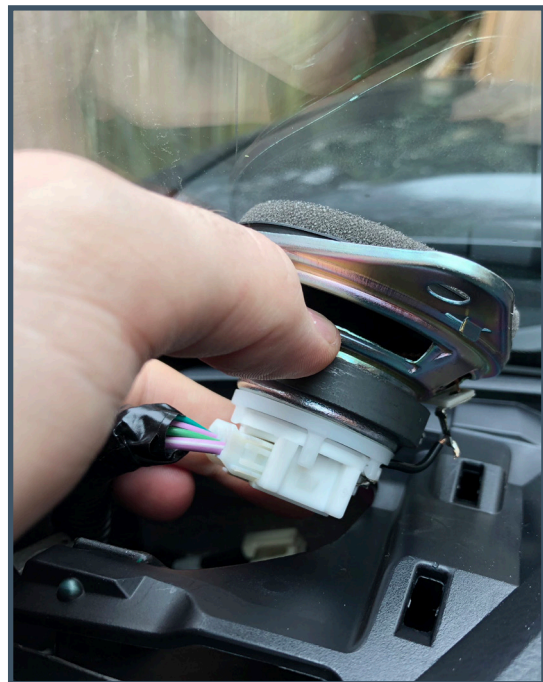


Fig. 2b

6. REMOVAL OF FRONT LEFT SEAT, LEFT DOOR SILL AND LEFT KICK PANEL

6.1 Remove Front Left Door sill

6.1.1 Lift the cover and pull it out. (Fig.3a/3b).



Fig. 3a



Fig. 3b

6.2 Remove Front Left Kick Panel

6.2.1 Pull the footrest straight out (fig.4a) and lift the Kick Panel and pull it out (fig.4b).



Fig. 4a



Fig. 4b

6.3 Remove Front Left Seat

6.3.1 Remove seat track cover (fig.5a), remove the 4 bolts and front seat assembly (fig.5b).

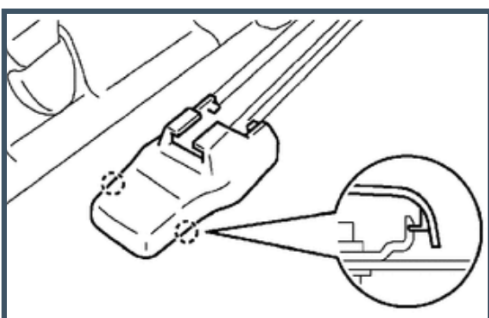


Fig. 5a



Fig. 5b

7. AP TACOMA P&P HARNESS CABLES ROUTING

7.1 Amplifier power wiring (not included) routing

7.1.1 Ground to Toyota OEM ground bolt in kick panel (Fig6).

7.1.2 Positive from battery direct (Fig7).



Fig. 6



Fig. 7

7.2 Instructions for cables routing from the Driver seat to the left and right side of the dashboard (Fig.8).

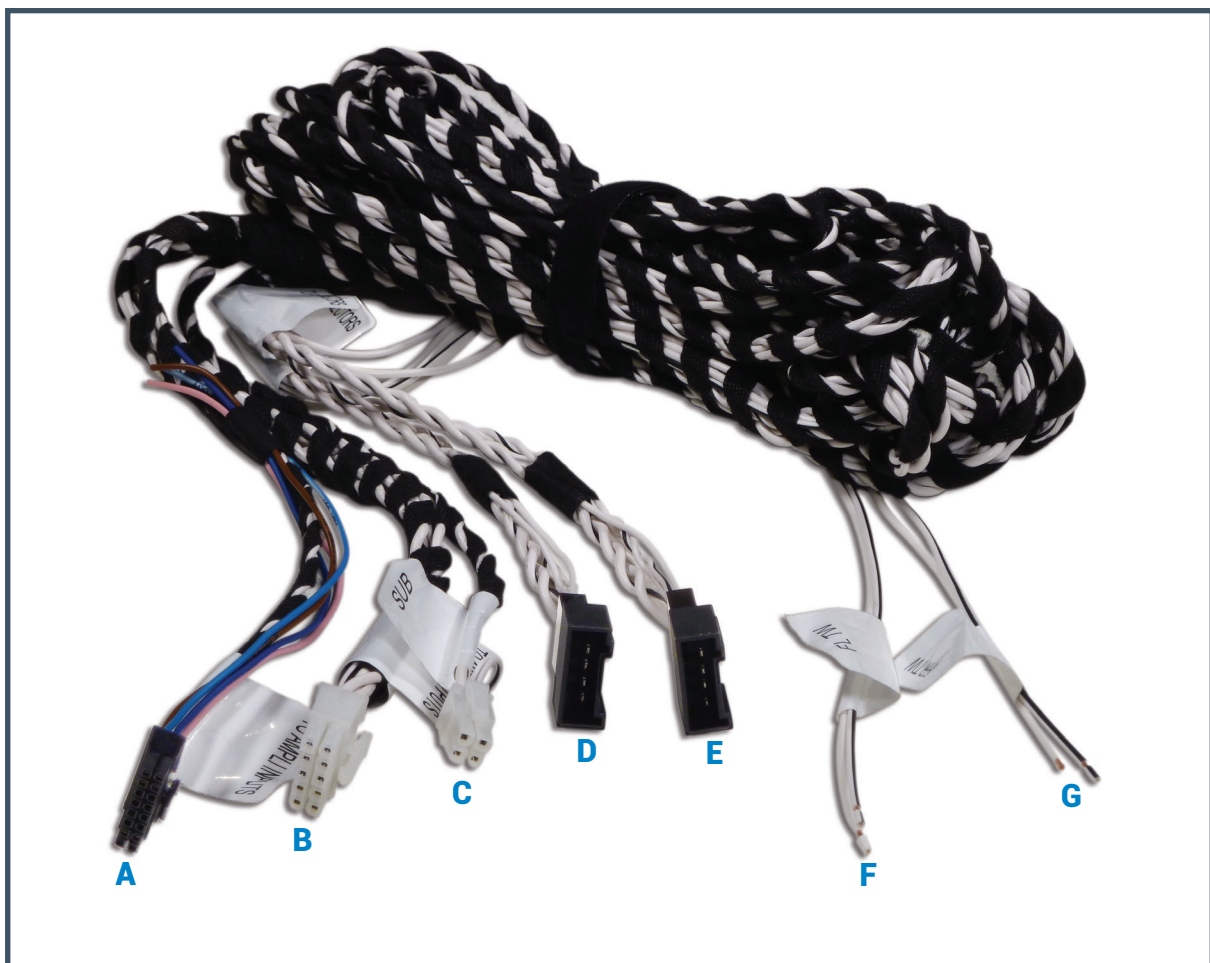


Fig. 8

7.2.1 Route sections **D** and **E** of the P&P HARNESS cable from under the seat to the left side of the dashboard passing through the door sill.

7.2.2 Drive the cable **E** to the housing of the left speaker.

7.2.3 Connect the 4 pin connector with the one belonging to the OEM TW *fig. 9*.



Fig. 9

7.2.4 Drive the cable **D** up to the right side of the dashboard. To facilitate this operation it is possible to remove the source and the glove compartment.

7.2.5 Connect the 4 pin connector with the one belonging to the OEM TW.

7.2.6 Route wire "**C**" under running board trim and bottom of rear wall trim.

8. INSTALLATION OF AP5.9 bit

8.1 INSTALLATION of Prima Tower Kit

- 8.1.1 Pull the carpet up.
- 8.1.2 Remove underseat heater duct temporarily.
- 8.1.3 Position Prima Tower Kit under carpet, centered on the duct location.
- 8.1.4 Make small cuts in the carpet to allow threaded studs on the plate to protrude up through the carpet.
- 8.1.5 Reinsert duct.
- 8.1.6 Put carpet back down on top of plate.

8.2 INSTALLATION of AP5.9 bit

- 8.2.1 Place the amplifier on the plate and secure it with the included threaded nuts. [fig. 10](#)
- 8.2.2 Plug the connectors "A", "B" and the power cables to the amplifier. [fig. 11](#)



Fig. 10

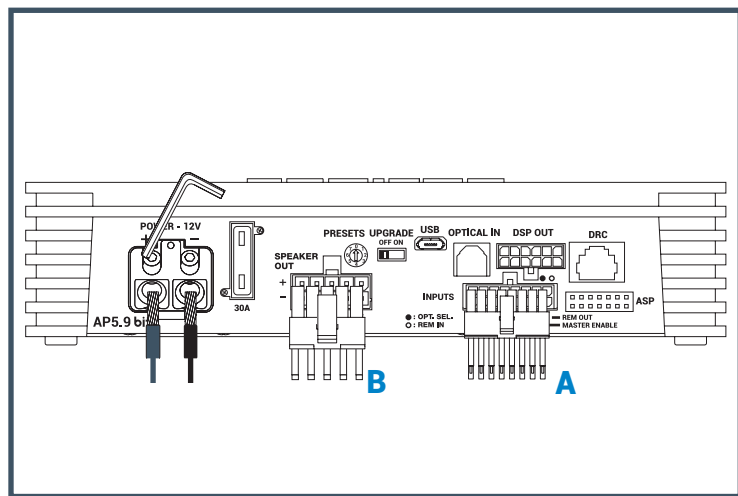


Fig. 11

9. INSTALLATION OF APBX 8 DS SUBWOOFER

9.1 APBX 8 DS INSTALLATION

9.1.1 Fold the rear seats (Fig 12). Inspect pocket for plastic fin. If present, clip out to allow subwoofer to sit flat in pocket..



Fig. 12

9.1.2 Unplug 4-pin square connector on subwoofer between binding posts, and plug cable C 4-pin connector. (Fig 13).



Fig. 13

9.1.3 Pull two 10mm bolts from back wall of truck. Place APBX 8 DS SUB up right as shown below. (Fig 14)



Fig. 14

10. INSTALLATION OF AP 2 WIDE RANGE

10.1 AP 2 INSTALLATION

10.1.1 Fix the AP 2 speakers to mounting adapters from underneath using supplied hardware and the FOAM GASKET over the mounting adapters. (Fig. 15).



Fig. 15

10.1.2 Connect the cable "F" to left AP2 and the "G" to the right one. fig.16.



Fig. 16

10.1.3 Mount the AP2 using the OEM hardware. fig.17.



Fig. 17

11. INSTALLATION OF AP690 WOOFER

11.1 REMOVAL OF FRONT DOOR PANELS

11.1.1 Remove left and right door panels. (Fig 18).

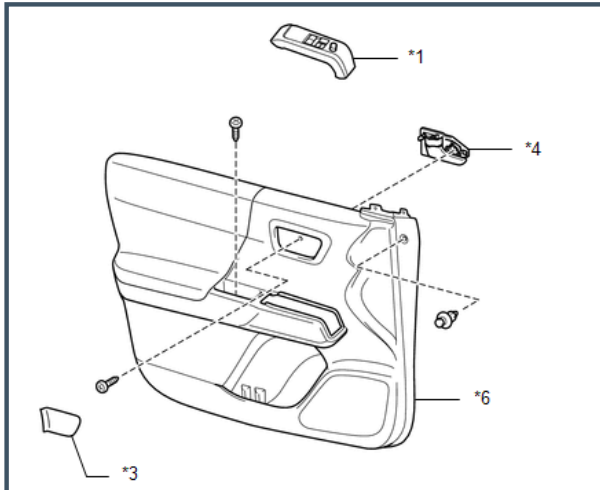


Fig. 18

11.2 REMOVAL OF FRONT DOOR SPEAKERS

11.2.1 Unplug and remove OEM speakers. Retain hardware to use to install new speaker (Fig 19).

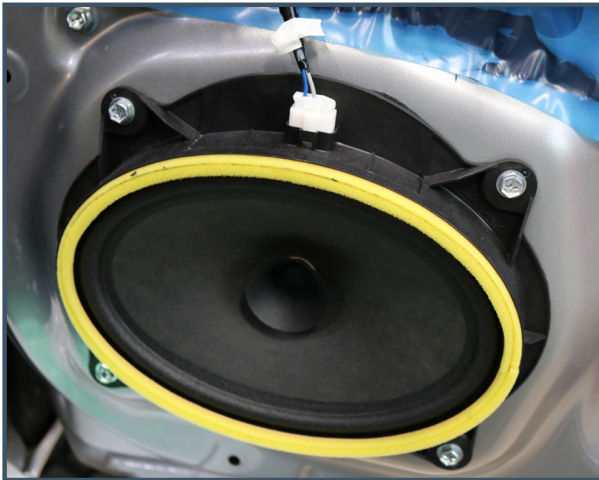


Fig. 19

11.3 MOUNTING THE WOOFER IN ITS HOUSING

11.3.1 Secure the speaker using the fastening screws provided with the KIT (Fig 20).



Fig. 20

11.4 SECURE WIRING ADAPTER TO AP690 WOOFER (Fig. 21)



Fig. 21

11.5 BOLT SPEAKER AND MOUNT TO DOOR, AND PLUG INTO SPEAKER CONNECTOR HARNESS (Fig. 22)

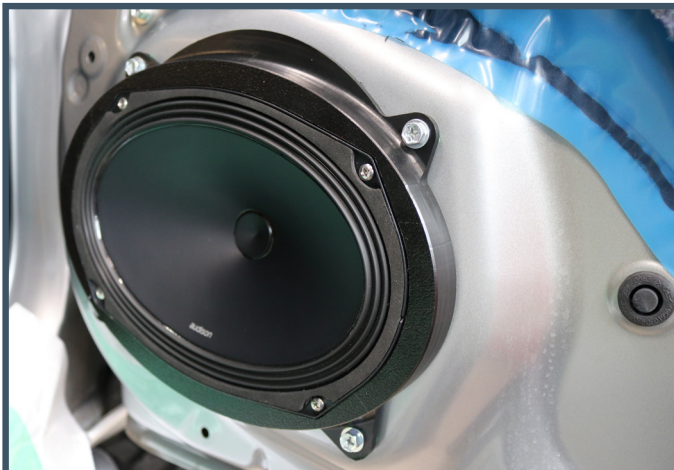


Fig. 22

Use provided longer bolts kit (8 PCS - Ø 6 x 20 mm).

11.6 FIX THE FOAM RING TO THE BACK OF THE DOOR PANEL AROUND THE GRILL (Fig. 23)



Fig. 23

12. RE-ASSEMBLY OF UNINSTALLED COMPONENTS

12.1 RE-ASSEMBLY OF THE VEHICLE'S COMPONENTS PERFORMING INVERSE OPERATIONS COMPARED TO THE ONES DESCRIBED IN THE DISASSEMBLY SECTIONS

- 12.1.1** Before reinstalling the seat check if the amplifier turns on with the radio. Update firmware if needed ([see the manual of the AP5.9bit](#)). Once amplifier is updated, confirm that it powers up. Then reinstall front seat.

13. UPLOAD OF THE TUNING FILE

13.1 UPLOAD OF THE TUNING FILE

- 13.1.1** Download the setup file from https://www.audison.eu/sound-pack-configurator/#start_now
13.1.2 Open AP5.9 bit software. Connect PC to USB cable (already plugged into AP5.9 bit).
13.1.3 Load provided tuning file.
13.1.4 Finalize Device.
13.1.5 Close Software and unplug USB cable from the amplifier. Ensure all tone settings in the head unit are centered for all sources.

14. NOTES

14.1 WHAT IF I AM USING THE SOUND PACK WITH AN AFTERMARKET HEAD UNIT?

- 14.1.1** Use the hi-level outputs of the aftermarket Head Unit by connecting them to the OEM speaker cable with the specific harness.
14.1.2 Open the Audison software and load the setup file.
14.1.3 Disable De-EQ in Settings and change the value for the distance to the left front door woofer (Channel 3) to the actual distance.
14.1.4 Save and Finalize.

14.2 WHAT IF I WANT TO INSTALL THE SOUND PACK INTO A JBL-EQUIPPED VEHICLE?

JBL-equipped vehicles have the OEM subwoofer and the JBL amplifier on the back wall, under a different trim panel. You will have to take responsibility for fitting a subwoofer enclosure into the vehicle, since the pocket this enclosure fits into is not present. The AP5.9 bit is optimized for a 2-ohm load on the subwoofer channel. Use the Maestro AR interface and the iDatalink optional integration harness for this vehicle. Connect the Audison speakers directly to the OEM speaker leads, as you would in a traditional installation. Modify the Integration Harness - Connect the speaker-wire harness from iDatalink to the Integration Harness (using the Integration Harness to extend to the JBL amplifier location). The Integration Harness no longer connects directly to the vehicle in this scenario. A different tune file will need to be created.

14.3 WHAT IF I WANT TO USE THE SOUND PACK WITH APF8.9BIT?

This will require modification to the input (<https://www.audison.eu/products/ap-f-in-adp/>) and output portions of the P&P Harness. It will also require modification to the subwoofer harness so that the two voice coils can be driven by 2 pairs of bridged channels. A different tune file will need to be created.

15. TROUBLESHOOTING

FREQUENTLY ASKED QUESTIONS		
<p><i>The car radio is turned on but no sound can be heard</i></p>	<p><i>The AP5.9 bit logo is off.</i></p>	<p>Check the power supply fuse. If necessary, replace it with a new one of the same type and value. Check that the power supply terminals have a voltage of 12V. Make sure connector B has been installed correctly.</p>
	<p><i>The AP8.9 bit G7 logo flashes blue,blue/red, red.</i></p>	<p>The "Status Logo" indicates the operating status of the product and any malfunctions. Refer to the user's manual of the AP5.9 bit, sec. 4.12. The user's manual is loaded in the CD-ROM provided or available for download from the website www.audison.eu.</p>
	<p><i>The AP8.9 bit G7 logo is correctly on.</i></p>	<p>The Head Unit volume is too low.</p>
<p><i>The sound is not natural and does not come from all the speakers</i></p>	<p><i>Incorrect setting of volume / balance / fader controls.</i></p>	<p>Adjust the OEM source controls.</p>
	<p><i>Connections are not correct or not well secured.</i></p>	<p>Check the connections and secure them firmly.</p>



All the specifications herein are subject to change without prior notice

www.audison.eu

audison
ISTINTO
INNOVATIVO

PART OF ELETTRONEDIA
62018 Potenza Picena (MC) Italy
T +39 0733 870 870 - F +39 0733 870 880
www.elettromedia.it